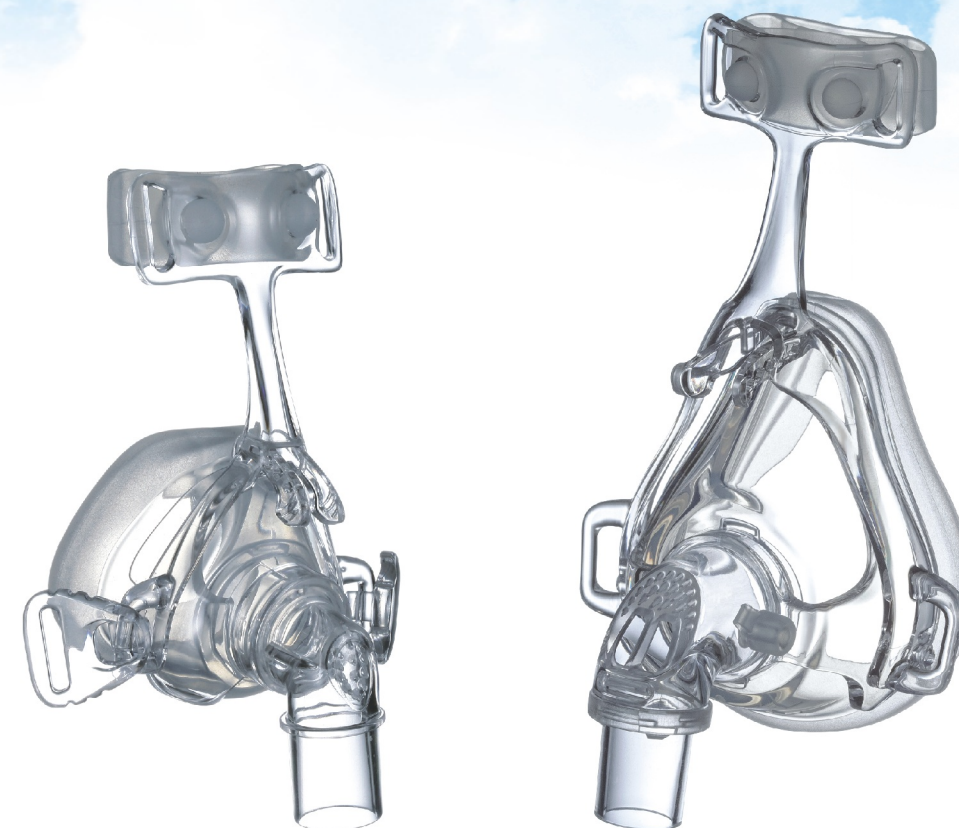


*Cirri-mini*

Pediatric CPAP Full Face Mask



Pediatric CPAP Nasal Mask



 **HSINER**<sup>®</sup>  
*Touching lives, Improving life.*



Pediatric CPAP Full face & Nasal Mask

 **HSINER**<sup>®</sup>  
*Touching lives, Improving life.*



**HSINER Co., Ltd.**

No. 312, Jhongshan Rd., Shengang Dist., Taichung City 429, Taiwan.

Tel: 886-4-2515-2480 Fax: 886-4-2515-2482

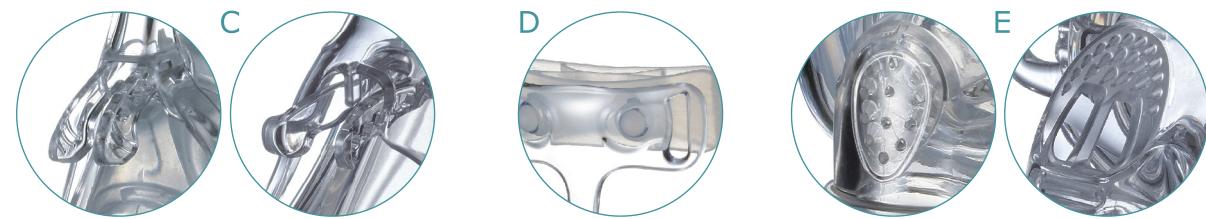
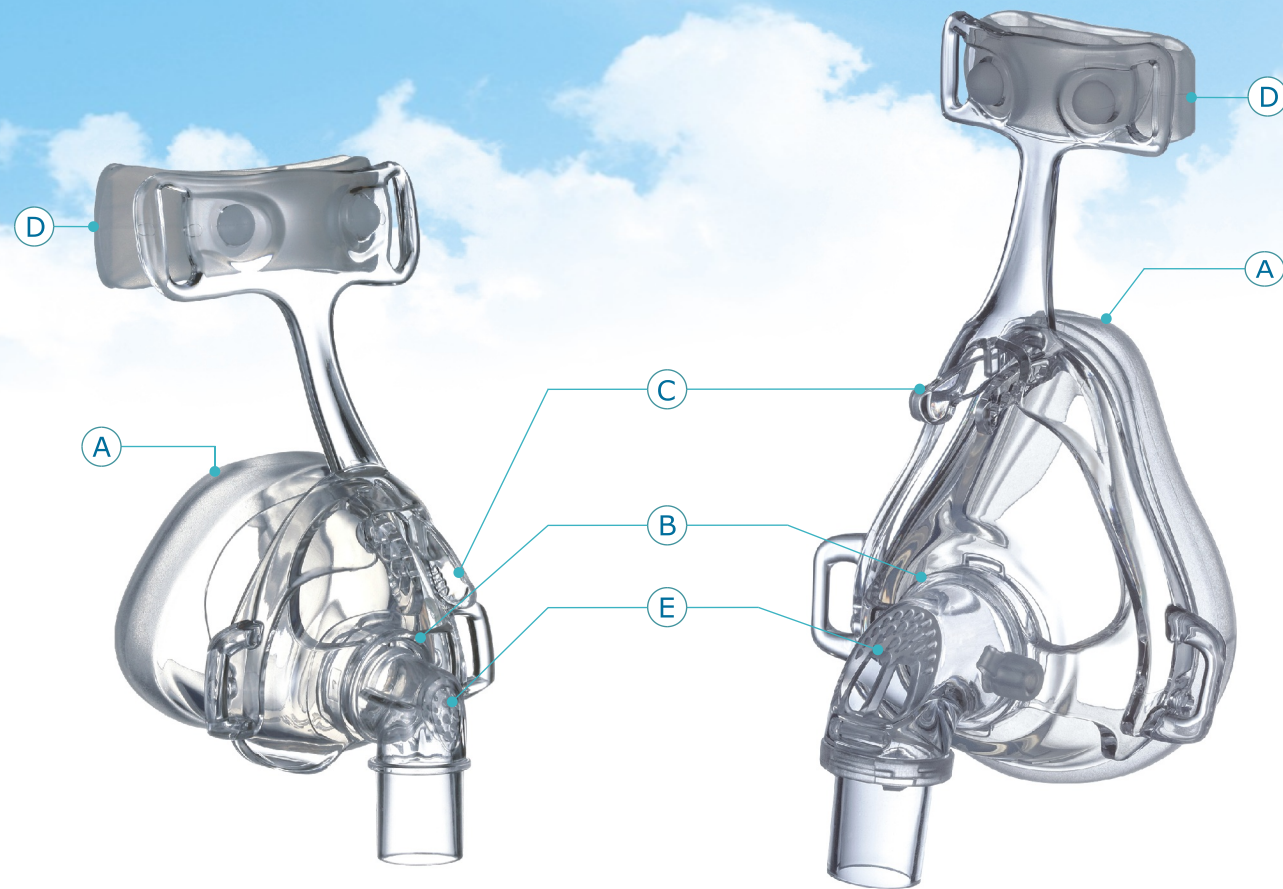
<http://www.hsiner.com> E-mail: [sales@hsiner.com](mailto:sales@hsiner.com)



**FDA** 510K 2460 **CE**

# Cirri-mini

## Pediatric CPAP Full face & Nasal Mask



- (A) New 3D mask cushion provides an excellent seal without tight headgear; the face pressure sores and discomfort won't happen.
- (B) Just a simple action to attach and detach the cushion from frame.
- (C) Innovative adjustable forehead support provides stability with easy one-handed adjustment and allows the mask fits most of patients.
- (D) Flexible, one-piece forehead pad evenly conforms to the forehead contour, so the pad stays in place and you won't feel a thing.
- (E) Quiet air vent minimizes noise and enable efficient CO2 washout. Vented air is spread as cloud so that it does not disturb patient or companion.

